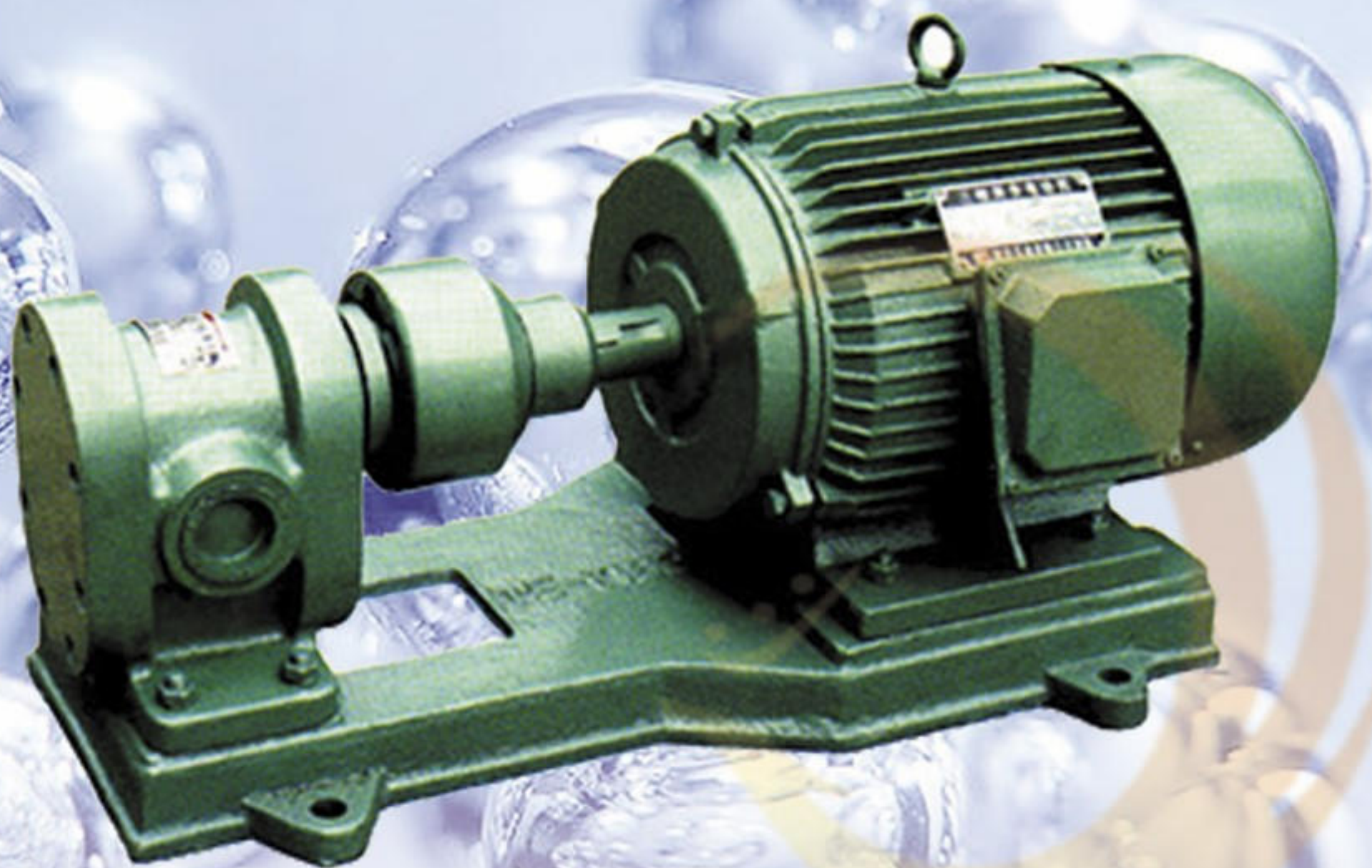
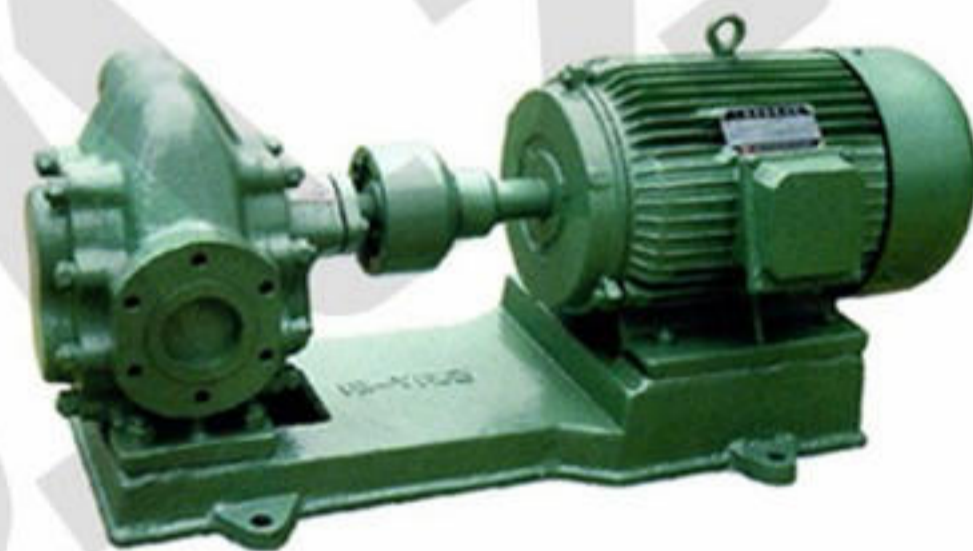
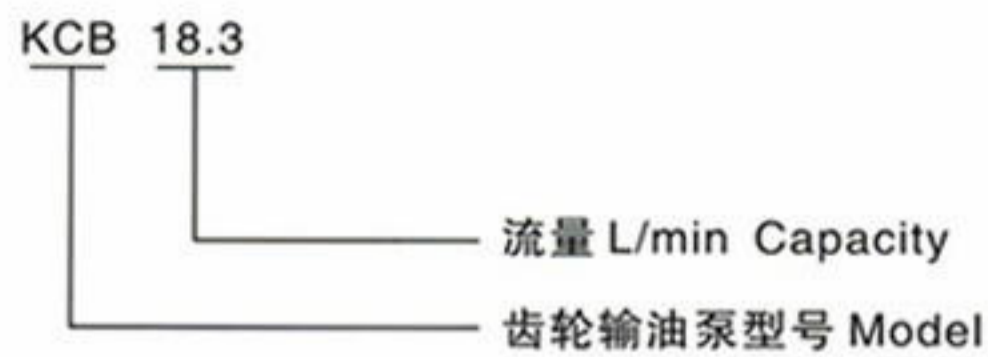


# BSPV 型 博生牌齿轮式输油泵

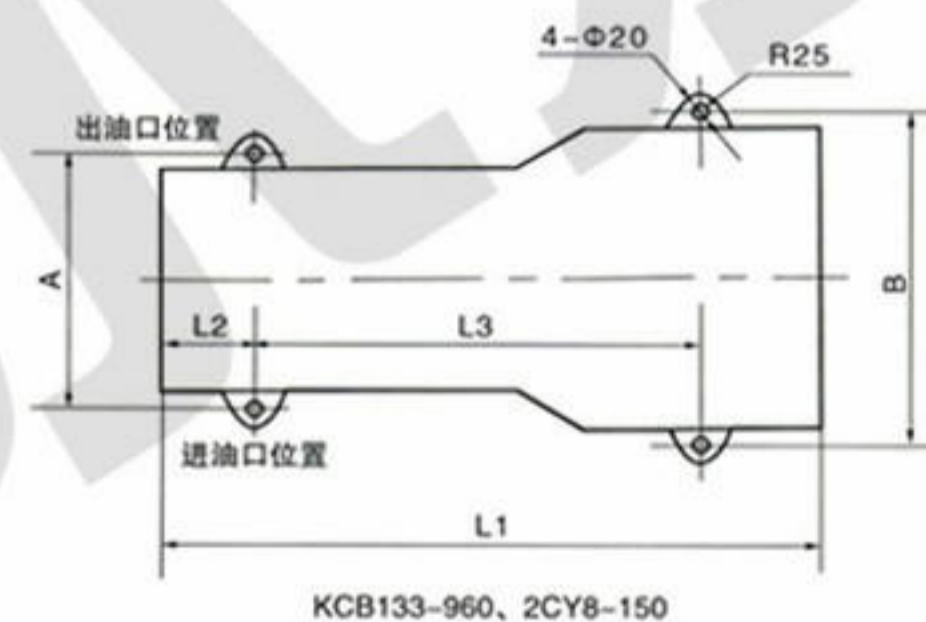
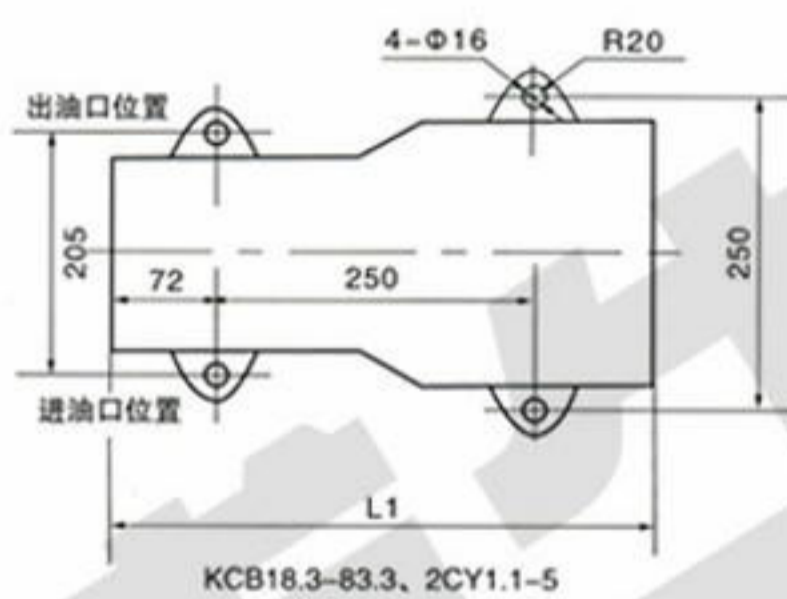
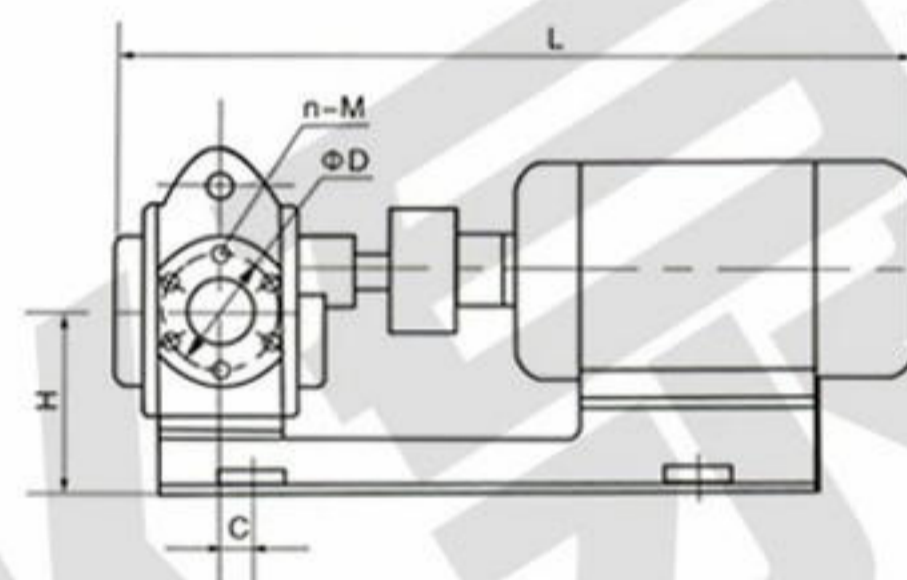
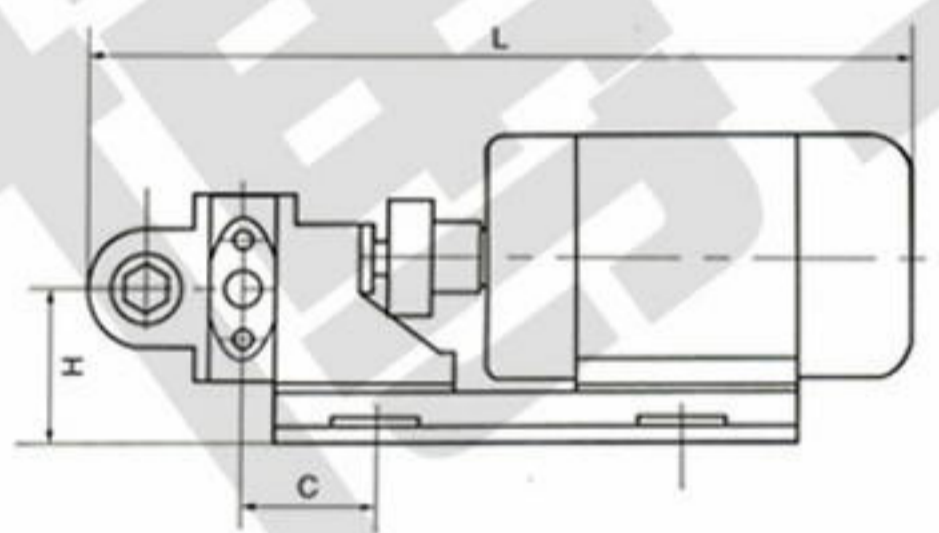
产品选型样本 | 使用说明书



## 型号说明 Model code



## 安装尺寸图 Mounting dimension drawing



## 用途与特征 Application and features

本泵适用于输送粘度在300C.s.t以下的各种油类，如原油、柴油、润滑油、动植物油等。配用铜齿轮可输送低闪点液体，如汽油、苯等。介质温度不超过70℃，耐高温油泵的使用温度不超过300℃。泵本身带有安全阀，超载时起安全保护作用。轴封有骨架油封、机械密封、填料密封三种型式，订货注明。

This pump is suitable to carry various oils, such as the thick oil, diesel fuel and lubricator, animal and vegetable oil etc. also it's available to transport the fluidities with low flashing point by equiped with copper, gear, such as gasolene and benzene, etc. Take care that the media temperature shouldn't surpass 70℃ and the available temperature of oilpump against hitemper-ature shouldn't more than 300℃.The pump has safety valve itself when the pump works under the high pressure. Shaft seal has skeleton oil seal. Mechanical seal and stuffing seal. Please it should be indicuted when placing order.

## 安装尺寸 Mounting dimension

型号 Model	流量 m <sup>3</sup> /h Capacity	压力 MPa Pressure	真空度 m.H <sub>2</sub> O Vaccum	进出口 口径 mm Diameter	H	L	L1	L2	L3	A	B	C	D	n-m	进出口 距离 K Distance	配用 电机型号 Motor	功率 KW Power
KCB18.3 2CY1.1/14.5	1.1	1.45	5	G <sub>3/4</sub> "	109	583	405	72	250	205	250	79	-	-	200	Y90L-4	1.5
KCB33.3 2CY2/14.5	2	1.45	5	G <sub>3/4</sub> "	119	618	437	72	250	205	250	79	-	-	200	Y100L1-4	2.2
KCB55 2CY3.3/3.3	3.3	0.33	5	G <sub>1</sub> "	109	588	405	72	250	205	250	86	-	-	200	Y90L-4	1.5
KCB83.3 2CY5/3.3	5	0.33	5	G <sub>1 1/2</sub> "	119	658	437	72	250	205	250	99	-	-	200	Y100L1-4	2.2
KCB133 2CY8/3.3	8	0.33	5	G <sub>2</sub> "	182	778	688	130	450	250	340	32	-	-	260	Y132S-6	3
2CY8/6	8	0.6	5	G <sub>2</sub> "	182	818	688	130	450	250	340	32	-	-	260	Y132M1-6	4
2CY8/10	8	1.0	5	G <sub>2</sub> "	182	818	688	130	450	250	340	32	-	-	260	Y132M2-6	5.5
2CY12/1.3	12	0.13	5	G <sub>2</sub> "	172	703	567	130	370	250	305	32	-	-	260	Y112M-4	4
KCB200 2CY12/3.3	12	0.33	5	G <sub>2</sub> "	182	778	688	130	450	250	340	32	-	-	260	Y132S-4	5.5
2CY12/6	12	0.6	5	G <sub>2</sub> "	182	778	688	130	450	250	340	32	-	-	260	Y132S-4	5.5
2CY12/10	12	1.0	5	G <sub>2</sub> "	182	818	688	130	450	250	340	32	-	-	260	Y132M-4	7.5
KCB300 2CY18/3.6	18	0.36	5	70	188	898	723	120	480	280	340	45	123	6-M14	234	Y132M2-6	5.5
2CY18/6	18	0.6	5	70	188	983	810	105	600	280	380	30	123	6-M14	234	Y160M-6	7.5
KCB483 2CY29/3.6	29	0.36	5	70	187	898	723	120	480	280	340	45	123	6-M14	234	Y132M-4	7.5
2CY29/6	29	0.6	5	70	188	983	816	105	600	280	380	30	123	6-M14	234	Y160M-4	11
KCB633 2CY38/2.8	38	0.28	5	100	230	1094	912	155	600	280	380	60	158	8-M16	280	Y160L-6	11
2CY38/6	38	0.6	5	100	230	1224	963	155	650	280	450	60	158	8-M16	280	Y200L2-6	22
KCB960 2CY60/3	60	0.3	5	100	230	1159	955	155	650	280	410	60	158	8-M16	280	Y180L-4	22
2CY100/3	100	0.3	5	150	440	1586	1325	110	550×2	450	450	-20	210	8-M16	400	Y250M-8	30
2CY100/6	100	0.6	5	150	465	1856	1536	138	420×3	600	600	8	210	8-M16	400	Y315S-8	55
2CY120/3	120	0.3	5	150	440	1586	1325	110	550×2	450	450	-20	210	8-M16	400	Y250M-8	30
2CY120/6	120	0.6	5	150	465	1856	1536	138	420×3	600	600	8	210	8-M16	400	Y315S-8	55
2CY150/3	150	0.3	5	150	460	1696	1376	138	550×2	500	500	8	210	8-M16	400	Y280S-8	37
2CY150/6	150	0.6	5	150	465	1946	1536	138	420×3	600	600	8	210	8-M16	400	Y315M1-8	75

注：1、表中参数为50℃,30C.S.t粘度条件下的数值。

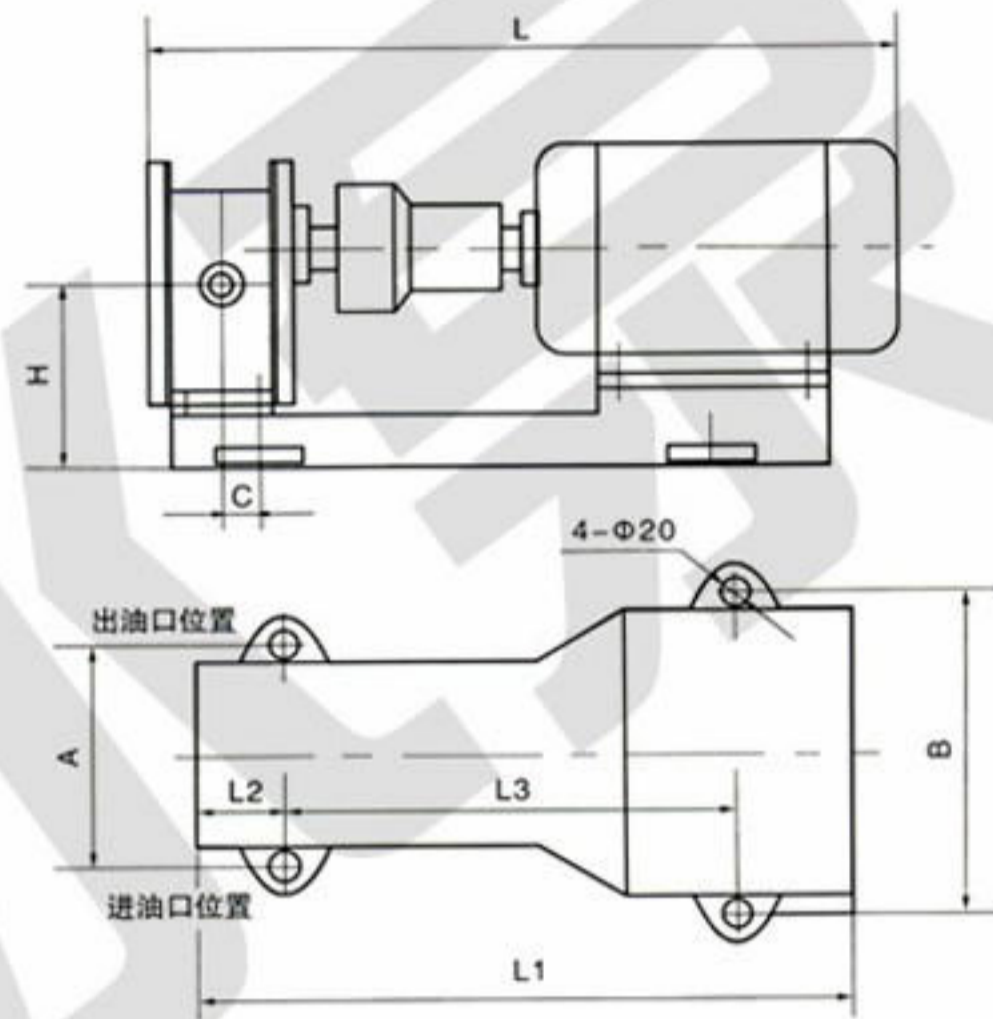
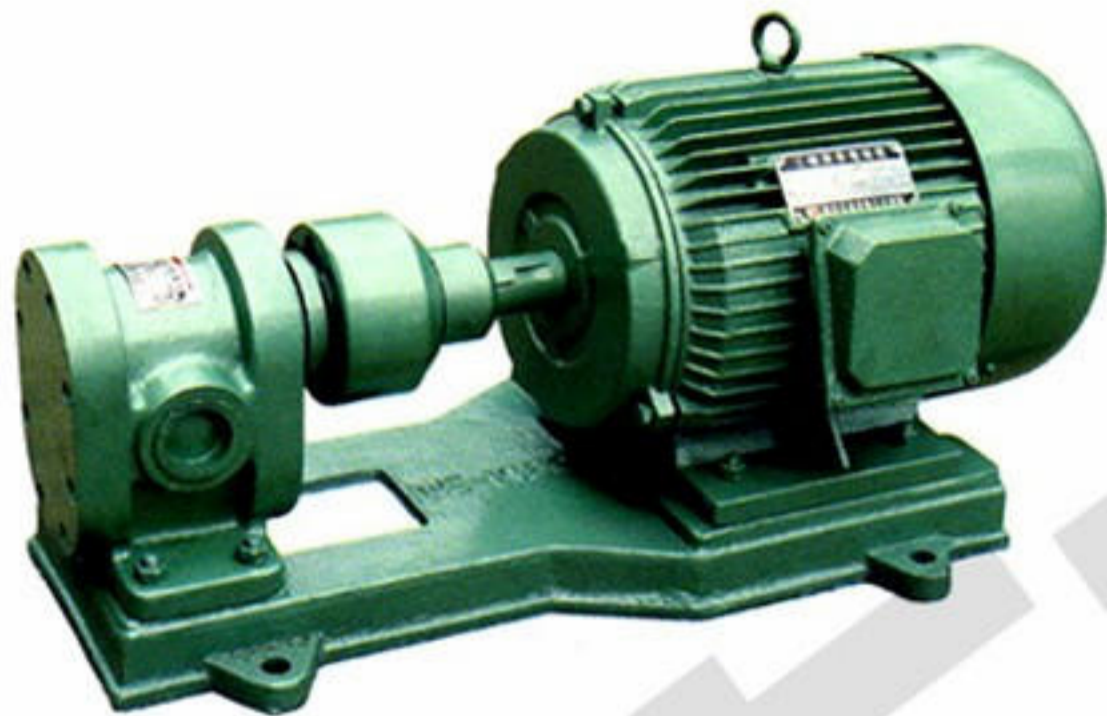
2、KCB18.3~200、2CY1.1~12配带管螺纹口的腰形法兰；KCB300~960、2CY18~150不配带法兰，需用户自行加工。

Note: 1. The value in the table is under 50℃, 30C. S. t.

2. KCB18.3-200、2CY1.1-12 have with waist flange; KCB300-960、2CY18-150 havn't with flange, so user need do it.

型号说明同2CY型齿轮润滑油泵

The model code is as same that of 2CY series gear oil pump



安装尺寸图  
Mounting dimension drawing

## 用途与特征 Application and features

2CY系列齿轮润滑油泵主要用于各种机械设备中的润滑系统中输送润滑油，适用于输送粘度在 $10^{\circ}E$  (75C.s.t)以下,温度在 $300^{\circ}C$ 以下的具有润滑性的油料，不锈钢齿轮泵可输送食用油料、饮料等。泵本身不带安全阀。轴封有骨架油封、机械密封、填料密封三种型式，订货注明。

2CY series gear and lubricational pump is mainly to carry the lubricator in various lubricating system of mechanical equipments also it's suitable to carry the oils with the lubricational feature and their viscosity should be below  $10^{\circ}E$  (75c.s.t) and the temperature should be less than  $300^{\circ}C$ , furthermore, the gear pump in stainless steel can transport the edible oils, beverages and so on. The pump hasn't valve itself. Shaft seal has skeleton oil seal mechanical seal and stuffing seal. Please it should be indicated when placing order.

## 安装尺寸 Mounting dimension

型号 Model	流量 m <sup>3</sup> /h Capacity	压力 MPa Pressure	真空度 m.H <sub>2</sub> O Vaccum	进出口 径mm Diameter	H	L	L1	L2	L3	A	B	C	D	n-m	进出口 距离K Distance	配用 电机型号 Motor	功率 KW Power
2CY1.08/10	1.08	1	5	G3/4"	107	473	400	70	280	190	210	22	-	-	95	Y802-4	0.75
2CY1.08/25	1.08	2.5	5	G3/4"	107	523	440	70	300	190	230	22	-	-	95	Y90L-4	1.5
2CY2.1/10	2.1	1	5	G1"	126	558	487	73	320	200	250	24	-	-	110	Y90L-4	1.5
2CY2.1/25	2.1	2.5	5	G1"	126	603	487	73	320	200	250	24	-	-	110	Y100L2-4	3
2CY3/10	3	1	5	G1"	126	603	487	73	320	200	250	24	-	-	110	Y100L1-4	2.2
2CY3/25	3	2.5	5	G1"	126	623	494	73	320	200	290	24	-	-	110	Y112M-4	4
2CY4.2/10	4.2	1	5	G1 1/4"	158	634	520	62	400	250	290	0	-	-	142	Y100L2-4	3
2CY4.2/25	4.2	2.5	5	G1 1/4"	158	729	638	95	450	250	340	32	-	-	142	Y132S-4	5.5
2CY7.5/10	7.5	1	5	G1 1/2"	158	654	527	62	400	250	290	0	-	-	142	Y112M-4	4
2CY7.5/25	7.5	2.5	5	G1 1/2"	158	769	638	95	450	250	340	32	-	-	142	Y132M-4	7.5
2CY12/6	12	0.6	5	G2"	158	764	638	95	450	250	340	32	-	-	142	Y132S-4	5.5
2CY12/10	12	1	5	G2"	158	804	638	95	450	250	340	32	-	-	142	Y132M-4	7.5
2CY18/3.6	18	0.36	5	75	187	898	723	120	480	280	340	45	123	6-M14	200	Y132M2-6	5.5
2CY29/3.6	29	0.36	5	75	242	898	723	120	480	280	340	45	123	6-M14	200	Y132M-4	7.5

注：1、表中参数为 $50^{\circ}C$ ，30C.S.t粘度条件下的数值。

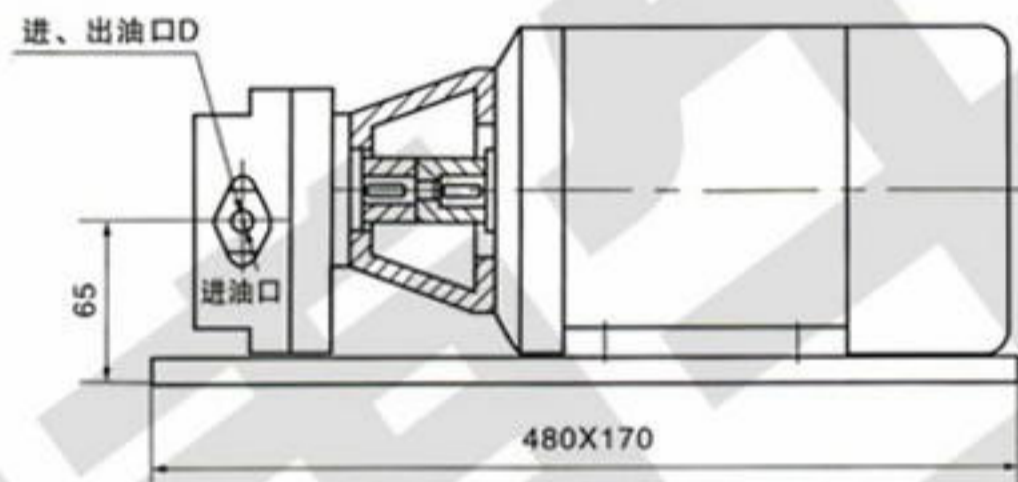
2、2CY18、29安装尺寸图参见KCB、2CY型齿轮输油泵

Note: 1. The value in the table is under  $50^{\circ}C$ , 30C.S.t.

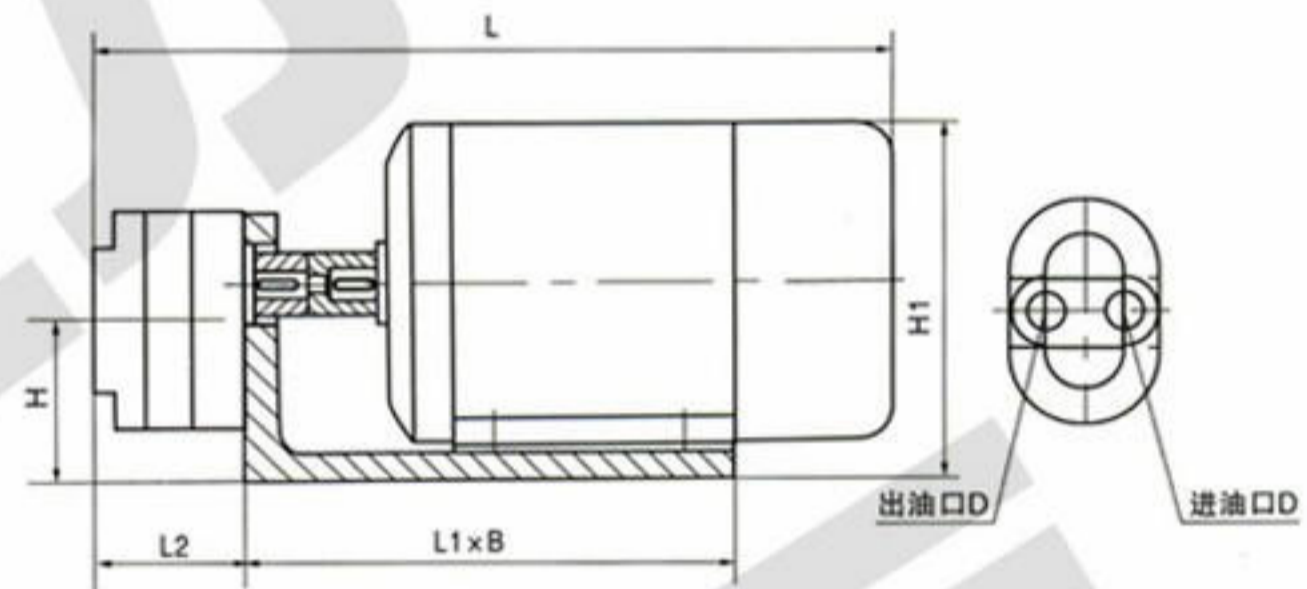
2. The mounting dimensions of 2CY18、29 can look at which of KCB、2CY Series gear pump.



## 性能参数及安装尺寸 Technical parameters and mounting dimensions table



WCB30-75安装尺寸图  
WCB30-75 mounting dimension drawing



S10-125安装尺寸图  
S10-125 mounting dimension drawing

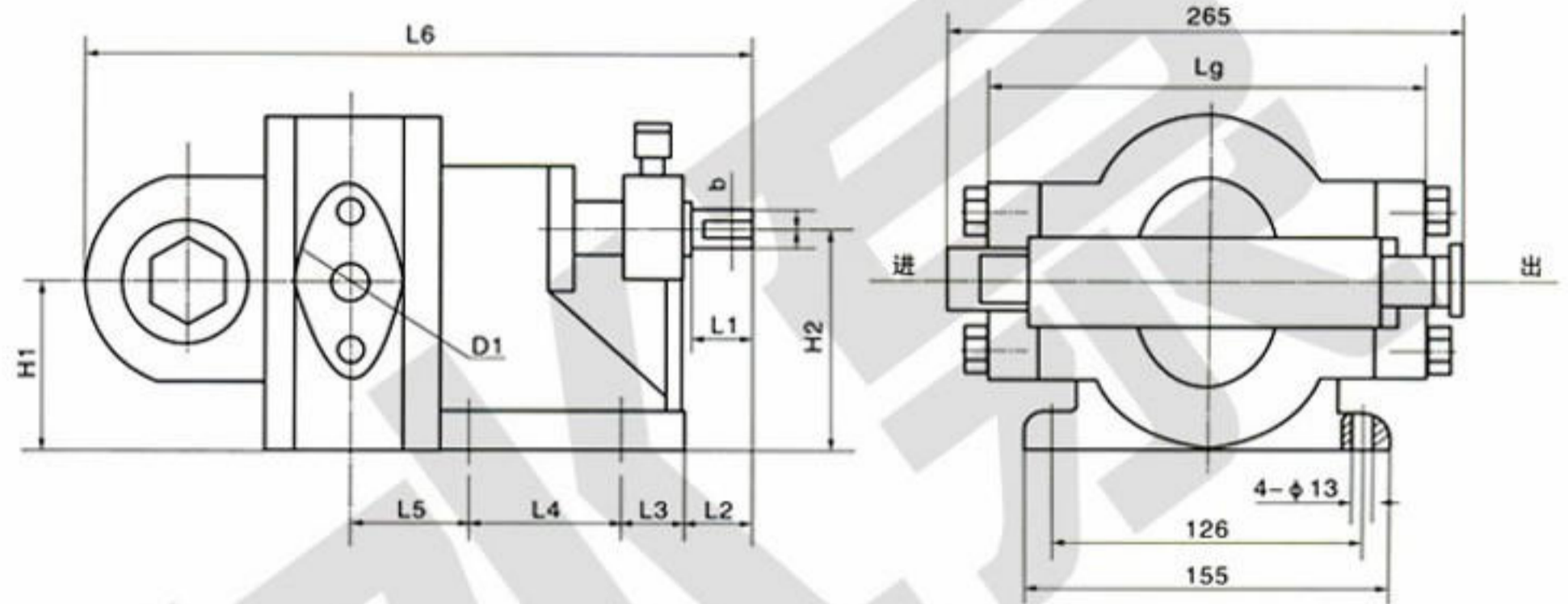
## 用途与特征 Application and features

WCB、S型输油泵能将粘度为1-8°E 清洁的中性油液(例如：机油、煤油、柴油等矿物和各種植物油)从一容器输送到另一容器内。它能提高工作效率、减轻劳动强度，因此，适合商业、工业、农业等行业作输油之用。泵配带软管接头。

WCB、S oil pump can carry the pure and neutral oil (e. G: engine oil, kerosene, diesel fuel, etc and various plant oils) with the viscosity of 1-8° E from one container to another, it can improve the working efficiency, reduce the labor strength, therefore, it's suitable for the oil transportation in commerce, industry, agriculture and so on.

## 安装尺寸 Mounting dimension

型号 Model	流量 L/min Capacity	扬程 m.H2O Total head	配用电机 型号 Motor	功率 Power	H	L	L1	B	H1	L2	胶管内径 D Pipe diamete
WCB 30	30	30	C02 8012	220V 370W	-	-	-	165	215	-	20
WCB 50	50	30	C02 8022	220V 550W	-	-	-	165	215	-	20
WCB 75	75	30	C02 8032	220V 750W	-	-	-	165	215	-	25
S-10	10	15	C02 7124	220V 180W	71	360	220	140	195	64	10
S-25	25	15	C02 8024	220V 370W	74	425	250	160	215	84	20
S-50	50	15	Y90S-4 YL90S-4	380V 1.1KW 220V 1.1KW	79	460	270	180	205	98	25
S-125	125	15	Y100L1-4	380V 2.2KW	86	565	340	205	265	124	32



## 用途 Use

CLB系列沥青泵主要用于抽吸、泵送和涂布高温沥青，它最适用于公路、桥梁、道路和广场等建筑工程中的沥青涂布作业。也可用于抽吸、泵送粘度较高的其它液体介质，如各种机械油、液压油、重油、渣油、各种植物油等。

CLB series pump is mainly to carry pitch under high temperature, and it is suitable to work at the place as high way bridge, road, and square, Also the pump can carry high viscosity liquid, as mechanical oil, hydraulic oil, heavy oil, dregs oil and all kinds of vegetable oil etc.

## 主要技术参数 Main technique parameter

型号 Type	CLB-50	CLB-100	CLB-150	CLB-200
额定流量 L/min	50	100	150	200
额定压力 MPa	1.0	1.0	0.8	0.8
真空度 MPa	-0.04	-0.04	-0.04	-0.04
额定转速 r/min	800	500	500	500
功率 kw	2.2	3.5	4.5	5.5
进出口径 diameter	G1"	G1 1/2"	G1 1/2"	G2"
净重 kg	17	30	35	40

## 安装尺寸 Mounting dimension

型号	b	d	D1	L1	L2	L3	L4	L5	L6	L9	H1	H2
CLB-50	6	20	G1"	36	40	27	80	42	300	185	81.5	108
CLB-100	8	28	G1 1/2"	46	50	32	70	62	340	222	109	145
CLB-150	8	28	G1 1/2"	46	50	32	70	76.5	370	222	109	145
CLB-200	8	28	G2	46	50	32	70	81	400	242	109	145



Http://www.bspv.cn



# 水的精彩 博生创造

**上海博生水泵制造有限公司**  
SHANGHAI BOSHENG PUMP MANUFACTURE CO.,LTD.

公司地址：中国上海市四川北路888号海泰国际大厦8层  
邮政编码：200080  
销售热线：86(021)-63170080 63538833 63066999  
图文传真：86(021)-63533836  
公司网站：<http://www.shuibeng.net>  
电子邮箱：[bspv@163.com](mailto:bspv@163.com)  
网络实名：上海水泵

特约经销商：

©博生公司(BOSHENG CO.,LTD.)版权所有